



**COMMERCIAL VEHICLE AUCTIONS LTD**  
THE UK'S MOST ESTABLISHED COMMERCIAL VEHICLE AUCTIONEERS

Carr Hill Industrial Estate  
Doncaster  
DN4 8DE

01302 732600 | cva.noreply@cva-auctions.co.uk

# VEHICLE INSPECTION REPORT

**MC74DYA**

## Maxus Deliver 9 2.0 D20 150PS

### Inspection

Serious Damage? No

### Vehicle

VAT Plus VAT  
V5 Present

### Details

Reg. date	20/12/2024	Colour	WHITE	CAP Average	£11,550.00
Year	2024	VIN	LSH14J7C7RA072321	CAP Below	£10,200.00
Mileage	41,165 Miles Not Warranted	Body Style	Panel Van LWB	Gearbox	MANUAL
Fuel Type	Diesel	MOT Due	19/12/2027	Gears	6
GVW	3500kg	CAP Clean	£12,250.00		

AD BLUE, SIDE LOADING DOOR

### Tyres

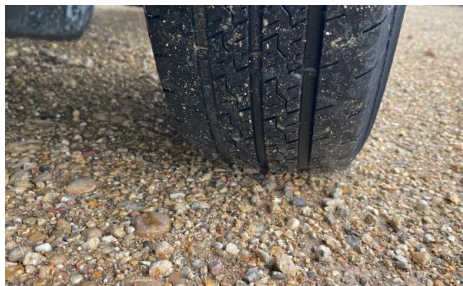
NSF
NSR
OSF
OSR
Spare

## Features

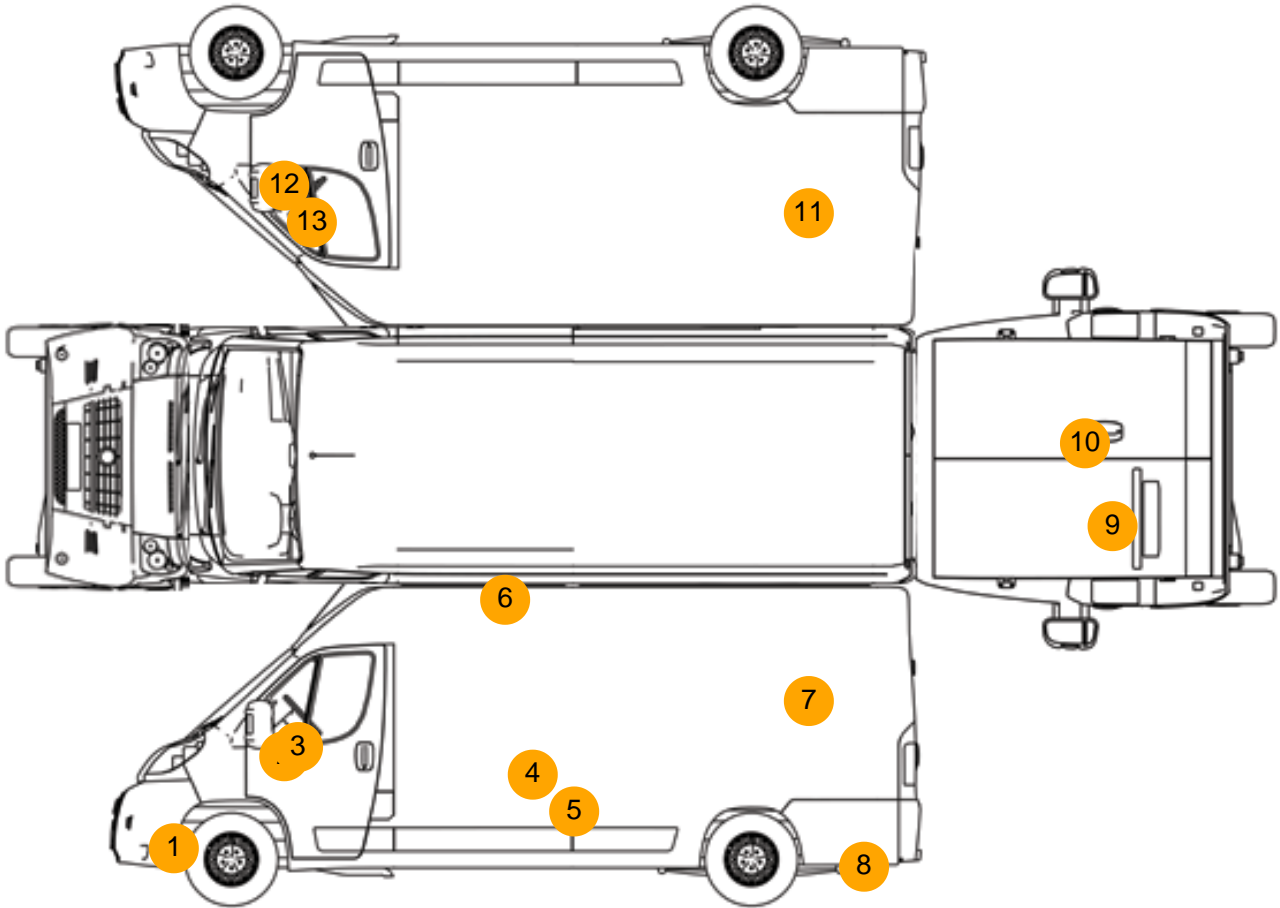
- Park assist camera
- Rear parking sensor
- Air conditioning
- Front electric windows

## Photos





## Condition Check



## Damage Photos



1: Bumper Front Moulding  
Scuffed (Unpainted)  
Over 100mm

2: Door Mirror Assy nsf  
Scuffed (Unpainted)  
Over 100mm



3: Flasher Side Repeater ns  
Broken  
Replace

4: Door nsr  
Scratched  
Over 25mm Not Thru Paint



5: Door nsr  
Dented  
Over 30mm

6: Roof  
Dented  
Between 10mm + 30mm



7: Qtr Panel nsr  
Scratched  
Over 25mm Not Thru Paint

8: Qtr Panel Moulding ns  
Scuffed (Unpainted)  
Over 100mm



9: Door nsr  
Dented  
With Paint Damage



10: Door osr  
Dented  
Over 30mm



11: Qtr Panel osr  
Dented  
With Paint Damage



12: Door Mirror Assy osf  
Scuffed (Unpainted)  
Over 100mm



13: Flasher Side Repeater os  
Broken  
Replace

## Interior

14: Seat Base Cover osf  
Holed  
Over 3mm

<b>Carpet Condition</b>	Average	<b>Upholstery Condition</b>	Average
<b>Seat Condition</b>	Average	<b>Odour</b>	No
Engine Runs	OK	Gearbox 1st and Reverse Test	OK
Brakes	OK	Clutch Slip Test from Static	OK
Parking Brake	OK	Gearbox Static Gear Selection (engine running)	OK
		No Excessive Smoking	OK
EML light illuminated	OK	Oil warning light illuminated	OK
Airbag light illuminated	OK	DPF light illuminated	OK
ABS light illuminated	OK	Service indicator light illuminated	OK